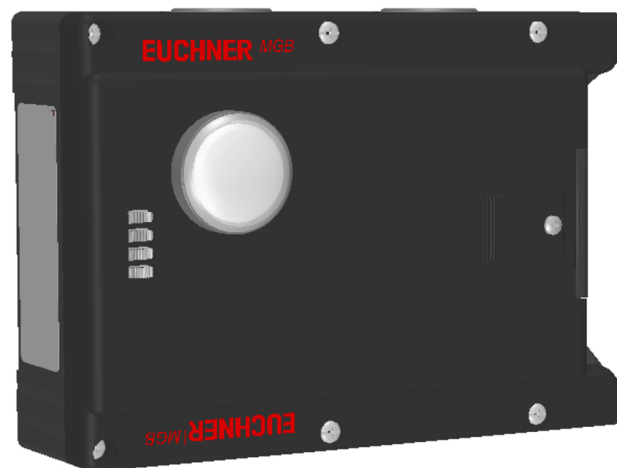


MGB-L1-ARA-AK1A1-M-R-120990 (ORDER NO. 120990)

Locking module MGB-L1-ARA..., (guard locking by spring force) with 1 push button

- ▶ Guard locking with guard lock monitoring
- ▶ Can be connected in series with other AR devices (e.g. CES-AR and CET-AR)
- ▶ 1 pushbuttons (illuminated)
- ▶ With lens set, 6 pcs.
- ▶ With cable entry
- ▶ Unicode



Description

Guard locking type

MGB-L1... The locking arm is held in the locked position by spring force and is unlocked by solenoid force (closed-circuit current principle, mechanically locked).

Door stop

A mechanical door stop is permanently integrated into the evaluation module of the MGB. A marking on the stop makes adjustment easier.

LED indicator

The LED indicator indicates all important system and status information.

Monitoring outputs

- OD ON when the door is closed
- OT Bolt tongue inserted into the evaluation module
- OL Guard locking solenoid in locked position
- OI Diagnostics; there is a fault

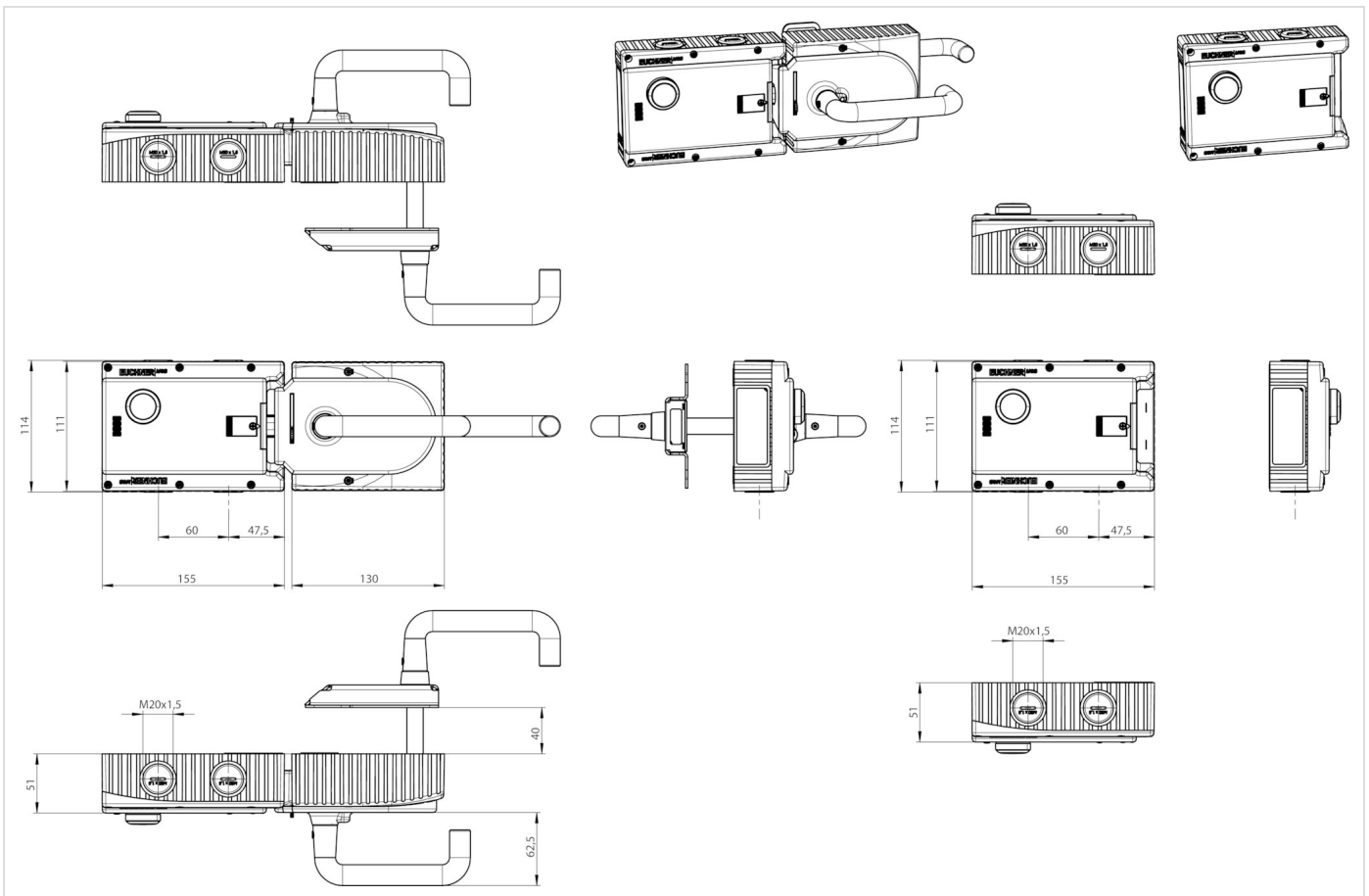
Pushbutton

S1 1 NO contact, illuminated

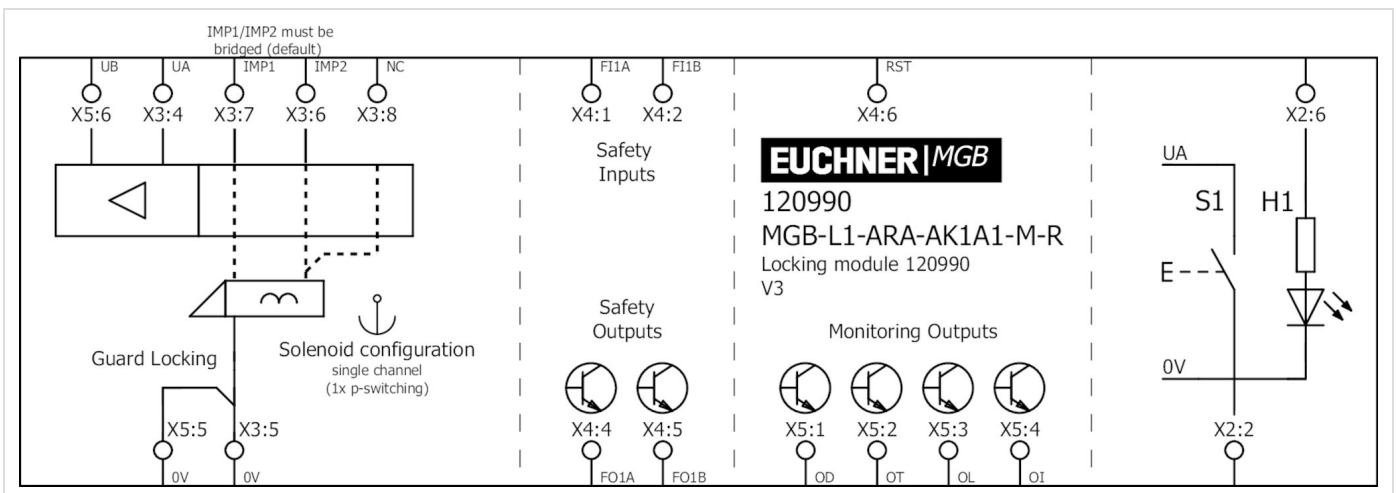
Lens set

The color of the pushbutton can be selected using the lens set included (5 colors). Item no.: 120344 (see Accessories)

Dimension drawing



Cable entry



Technical data

Approvals



Mechanical values and environment

Housing material	Housing	Reinforced plastic; die-cast zinc nickel-plated, stainless steel
Weight	Net	0,75 kg
Ambient temperature	At $U_B = 24V$ DC	-20 ... 55 °C
Degree of protection		IP65
Mechanical life		1 x 10 ⁶
	In case of use as door stop, and 1 Joule impact energy	0,1 x 10 ⁶
Installation orientation		Door hinge DIN right
Switching frequency		0,25 Hz
Connection		Cable entries M20x1.5
Guard locking principle		Closed-circuit current principle
Locking force F_{Zh}		2000 N

Electrical connection ratings

Utilization category acc. to EN 60947-5-2

	DC-13	24V 200mA (Caution: outputs must be protected with a free-wheeling diode in case of inductive loads.)
Rated insulation voltage U_i		30 V
Rated impulse withstand voltage U_{imp}		1,5 kV
Degree of contamination (external, according to EN 60947-1)		3
Connection cross-section		
	(Rigid/flexible) with cable end sleeve with collar according to DIN 46 228/1	0,25 ... 0,75 mm ²
	(Rigid/flexible) with cable end sleeve according to DIN 46 228/1	0,25 ... 1,5 mm ²
	(Rigid/flexible)	0,13 ... 1,5 mm ² ((AWG 24 ... AWG 16))
Safety class		III
Discrepancy time		
	Between FO1A and FO1B	max.10 ms
Risk time according to EN 60947-5-3		max.350 ms
Transponder coding		Unicode
		Power supply U_B
Operating voltage DC		
	U_B	24 V DC -15% ... 10% ((Reverse polarity protected, regulated, residual ripple <5%, PELV))
Current consumption		
	I_{UB}	max.80 mA ((no load on outputs))
		Power supply U_A
Operating voltage DC		
	U_A	24 V DC -15% ... 10% ((Reverse polarity protected, regulated, residual ripple <5%, PELV))
Current consumption		
	I_{UA}	max.375 mA

((With energized guard locking solenoid and unloaded outputs OD, OT, OL, OI, +20 °C, 24V))

Safety outputs FO1A, FO1B

Test pulses	max.1 ms
Test-pulse interval	min.100 ms
Type of output	Semiconductor outputs, p-switching, short circuit-proof
Output voltage	U_{FO1A} / U_{FO1B} HIGH UB-2V ... UB V DC (Value at a switching current of 50mA without taking into account the cable lengths)
	U_{FO1A} / U_{FO1B} LOW 0 ... 1 V DC
Output current	Per safety output FO1A / FO1B 1 ... 200 mA

Monitoring outputs OD, OT, OL, OI

Type of output	Semiconductor outputs, p-switching, short circuit-proof
Output voltage	UA-2V ... UA V DC (Value at a switching current of 50mA without taking into account the cable lengths)
Output current	max.50 mA

Controls and indicators

Switching voltage	U_A V
Switching current	1 ... 10 mA
Breaking capacity	max.0,25 W
Power supply LED	24 V DC

Solenoid control input IMP1, IMP2, IMM

Test pulses	max.5 ms
Test-pulse interval	min.100 ms

Controls and indicators

Assignment diagram	L1
--------------------	----

Position 1

Version	Illuminated push buttons
Slide-in label	
Special features	
Color	
Switching element	1NO

Other

Additional feature	Incl. cover set ID. No. 120344
Product version number	V4.0.0

Reliability values according to EN ISO 13849-1

Monitoring of guard locking and the safety guard position

Category	4
Performance Level	PL e
PFH _D	3.7 x 10 ⁻⁹

Control of the guard locking

Category	4
Performance Level	PL e
PFH _D	2.8 x 10 ⁻⁹
Mission time	20 y

Accessories

Connection material

Built-in connector RC18

120403
MGB-A-PLUGCONNECTOR-RC18-
120403

► For all MGB with cable entry

Cable glands M20x1.5, cable Ø 6-12 mm



086233
EKPM20/06 086233

Function expansion

Emergency unlocking for safety system MGB



112989
MGB-A-EMERGENCYRELEASE-112989

► Quick emergency release
► sealable

Miscellaneous accessories

Lens set 5 colors



120344
AY-SET-LNS-0001-120344



163284
AY-SET-LNS-0003-163284

Lens set 6 colors



120378
AY-SET-LNS-0002-120378

Lens set labeled



120377
AY-SET-LNS-SY01-120377



125359
AY-SET-LNS-SY02-125359



126158
AY-SET-LNS-SY03-126158



158307
AY-SET-LNS-SY04-158307



160049
AY-SET-LNS-SY05-160049

Mounting accessories

Mounting plate for evaluation modules MGB-L.-AR.-... and MGB-L.-AP.-...



109490
MGB-A-MOUNTINGPLATE-L-109490

- ▶ Easy and quick mounting (only two screws required)
- ▶ Quick module replacement
- ▶ Steel, powder coated
- ▶ Suitable for doors hinged on the right or left

Contacts

🏠 EUCHNER GmbH + Co. KG
Kohlhammerstraße 16
70771 Leinfelden-Echterdingen

☎ +49 711 7597-0

📠 +49 711 753316

✉ [info\(at\)euchner.de](mailto:info(at)euchner.de)